

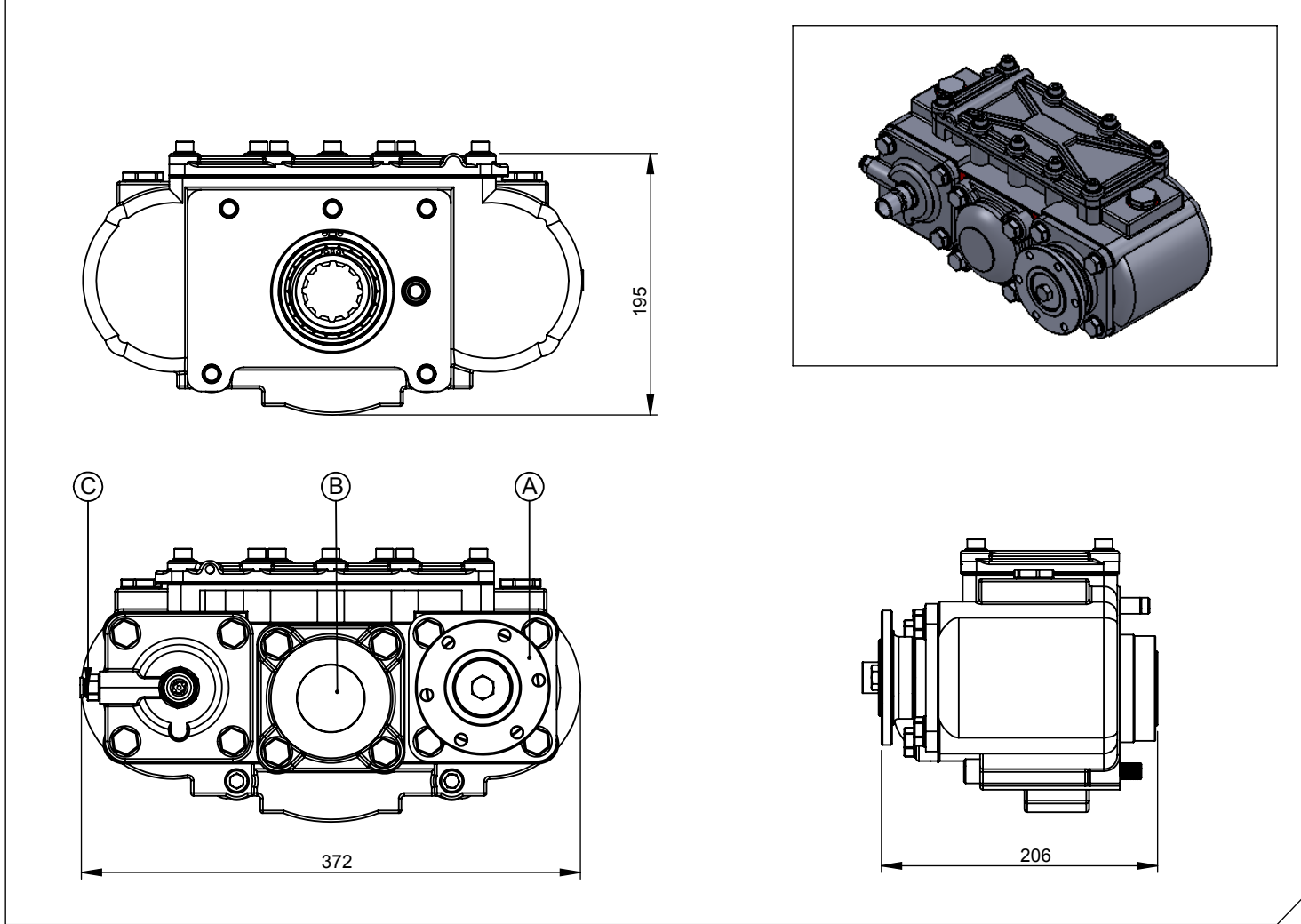
Araç Tipi Vehicle Type	TGA MAN TRUCKNOLOGY GENERATION 40.423-41.360-41.423 MAN - FE 420 A MAN-EUROPE 26.410/26.430 18.412-18.430-18.462 TGA 410/460 ABG / 18.410-18.460-18.490- 39.390 8X2 TGA MAN /935 PRO/1142 BMC PRO TG-A 18.240 / 18.413 / 18.460A XXL / 18.463 FLS (4X2) EURO / 33.410 - 33.412 FDS/FDK-WW (6X4) / ASTRA 6438 1835-1838-3235-3936-3536-4136 FORD CARGO / 19.400 MAN TGX 18.440-26.440 / 935 PRO
Şanzıman Tipi Gearbox Type	ZF NEW ECOSPLIT 16 S 1620 TD / 16 S 1820 TO / 16 S 1920 TD / 16 S 2220 TD / 16 S 2220 TO/16 S 2520 TO 16 S 2723 / 12 S 2220 (13,80 - 16,47 - 16,53 - 16,41) (B:213) / 16 S 2280 / 16 S 1685 / 16 S 2280 / 16 S 1825 8 S 1620 TD / 8 S 1820 (11.54-0,84) / 16 S 1685 / 16 S 2533TO / 12 AS 2330 (12,33) / 16 AS 2720 / 16 AS 2330 (16.41) 12 S 2220 / 16 S 1625 (13,80 - 16,47 - 16,53 - 16,41) / 16S231 / 16S2320 / 16S2330 / 12S2130 / 12S2330 / 12S2830 8S1630/ 16S1630 / 8S1830/16S1830 / 8S1930 / 16S1930 / 16S2030 / 8S2230 / 16S2230 / 16S2530 / 16S2730

Ürün Kodu / Product Code

ZF.11



Ürün Görünümleri / Products View



Opsiyonlar / Options

A : Flanş DIN120 (6 Delikli)
B : İkinci Çıkış (Opsiyonel)Uni 3 delik ve ISO 4 delik PTO bağlantılı
C : Hava Girişi R1/4"

A : Flange DIN120 (6 Holes)
B : Second Output (Optional)Uni 3 bolt and ISO 4 bolt mtg. PTO
C : Air Inlet R1/4"

Teknik Bilgi / Technical Data

Güç / Power (Kw)	Maksimum Tork / Maximum Torque		Çevrim Oranı Ratio	Bağlantı Şekli Mounting Side	Kumanda Kontrol Control Type
	Nm	Kgm			
102.8	982	100	1/1.23 1/1.48 1/1.79	KUYRUK/REAR	HAVALI/PNEUMATIC
				Ağırlık / Weight (Kg)	Dönüş Yönü / Rotation Sense
				33	SOL/COUNTERCLOCKWISE(CCW)



KOZANOĞLU
KOZMAKSAN

HYDRAULIC PUMPS & POWER TAKE-OFFS MANUFACTURING LIMITED CO.
HİDROLİK POMPA ve ARA ŞANZIMAN PTO İMALAT SAN.LTD.ŞTİ.

Ofis / Office
Tel. +90 312 354 05 39
Fax +90 312 354 34 59
7. Sokak No: 9
Ostim / ANKARA
e-mail: info@kozmaksan.com.tr

Fabrika / Factory
Tel. +90 312 267 39 71
Fax +90 312 267 38 72
AOS. 1. OSB. Erkunt Cad. No: 6
Sincan / ANKARA
Website: www.kozmaksan.com.tr